

NOTE: For placing a purchase order of the parts, be sure to use the part number listed in the parts list. Do not use the part number on this diagram.

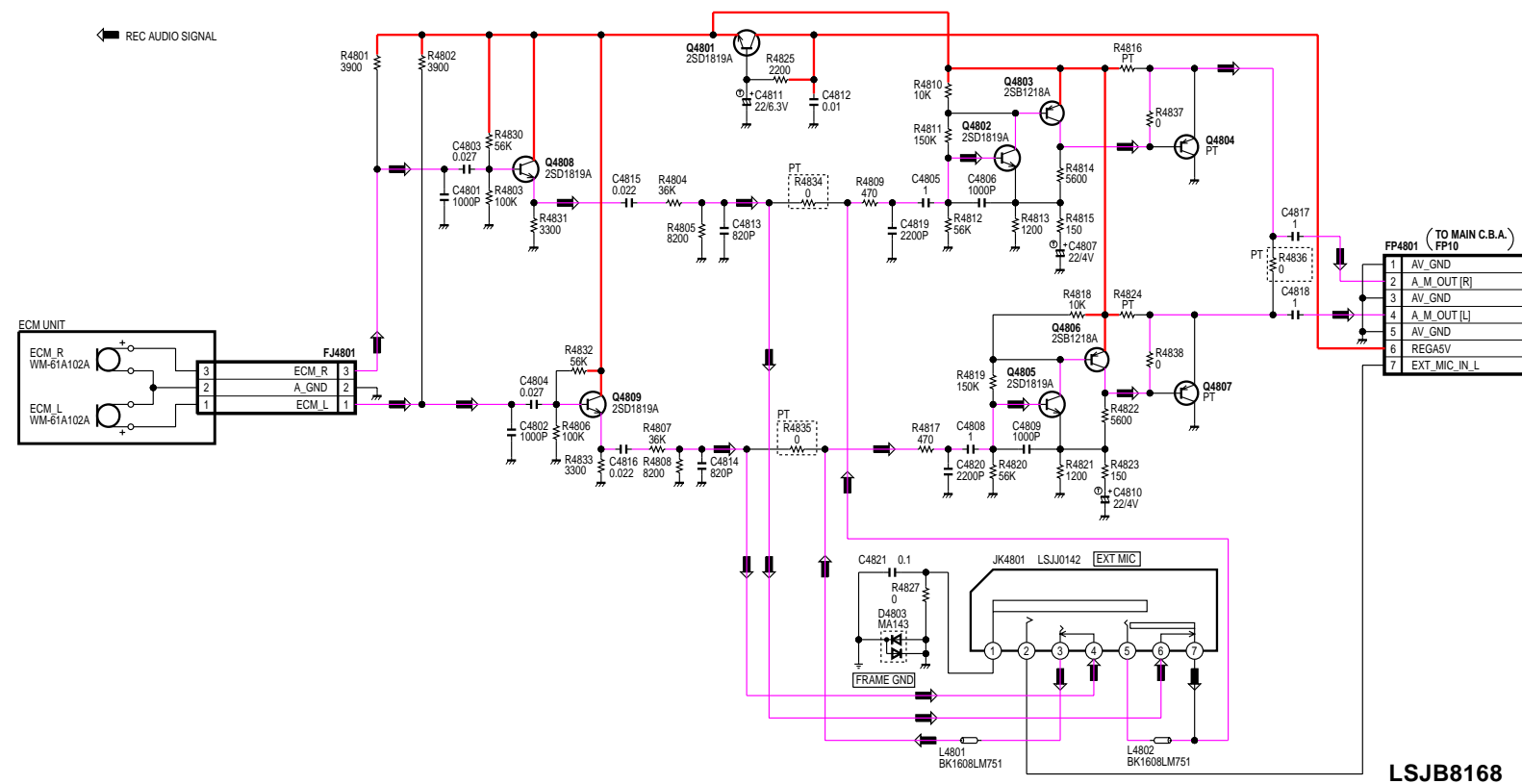
NOTE: PARTS ENCLOSED IN DASHED LINES MARKED "PT" ARE NOT USED.

NOTE: FOR SCHEMATIC DIAGRAM AND CIRCUIT BOARD LAYOUT NOTES, REFER TO BEGINNING OF SCHEMATIC SECTION.

MICROPHONE SCHEMATIC DIAGRAM

"FOR REFERENCE ONLY"

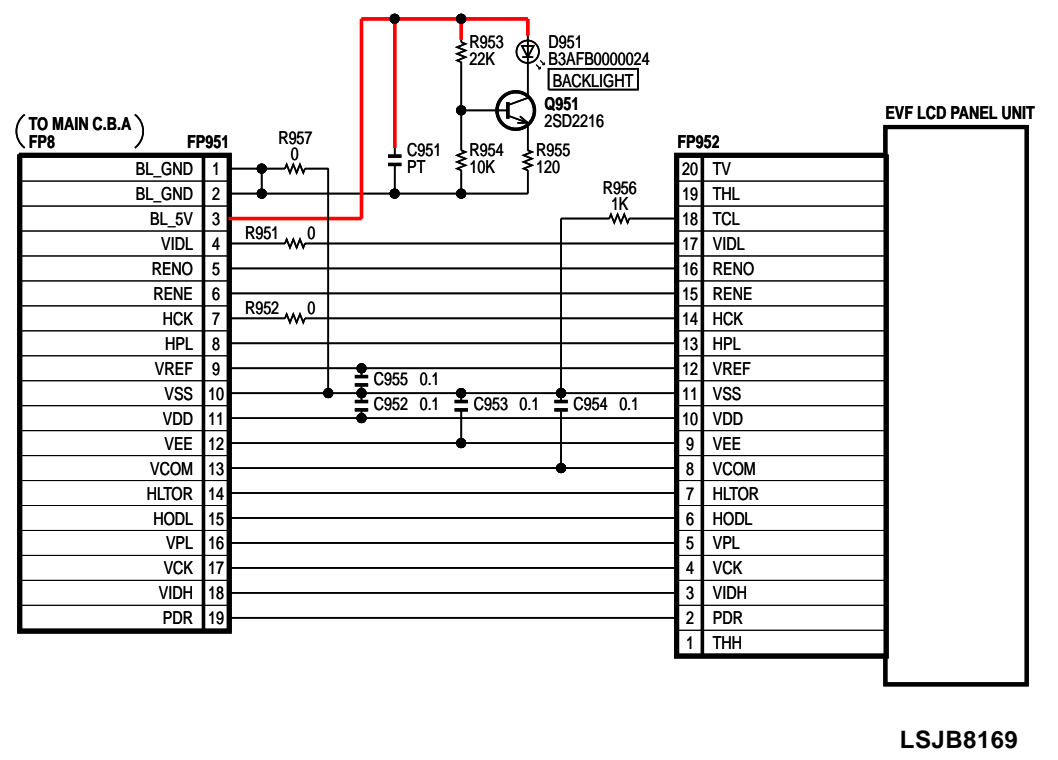
NOTE: MICROPHONE C.B.A. IS NOT SERVICEABLE AND IS SUPPLIED AS A UNIT ONLY FOR REPLACEMENT.



EVF BACKLIGHT SCHEMATIC DIAGRAM

"FOR REFERENCE ONLY"

NOTE: EVF BACK LIGHT C.B.A. IS NOT SERVICEABLE AND IS SUPPLIED AS A UNIT ONLY FOR REPLACEMENT.



FRONT SCHEMATIC DIAGRAM

"FOR REFERENCE ONLY"

NOTE: FRONT C.B.A. IS NOT SERVICEABLE AND IS SUPPLIED AS A UNIT ONLY FOR REPLACEMENT.

